

APPROVED FOR ISSUE

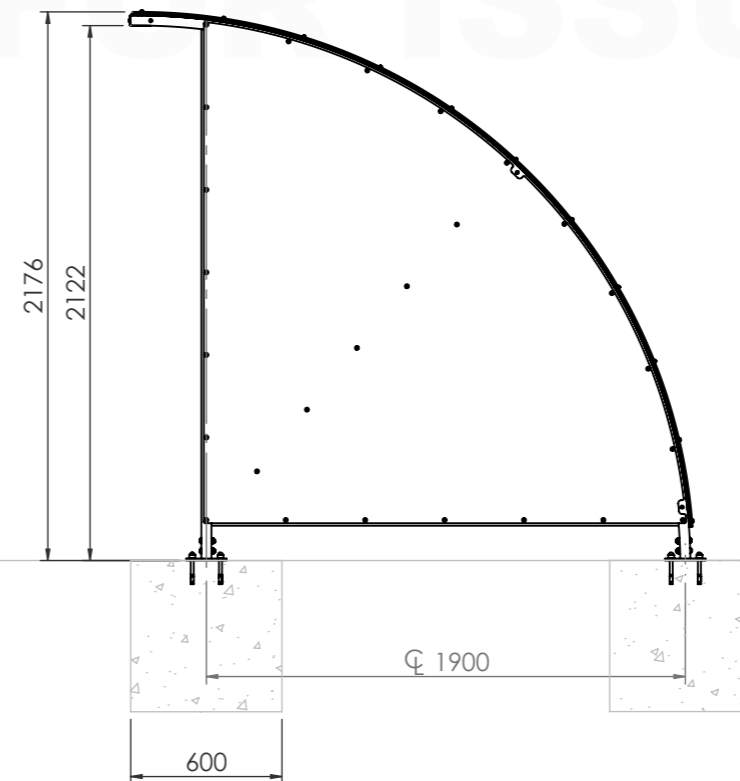
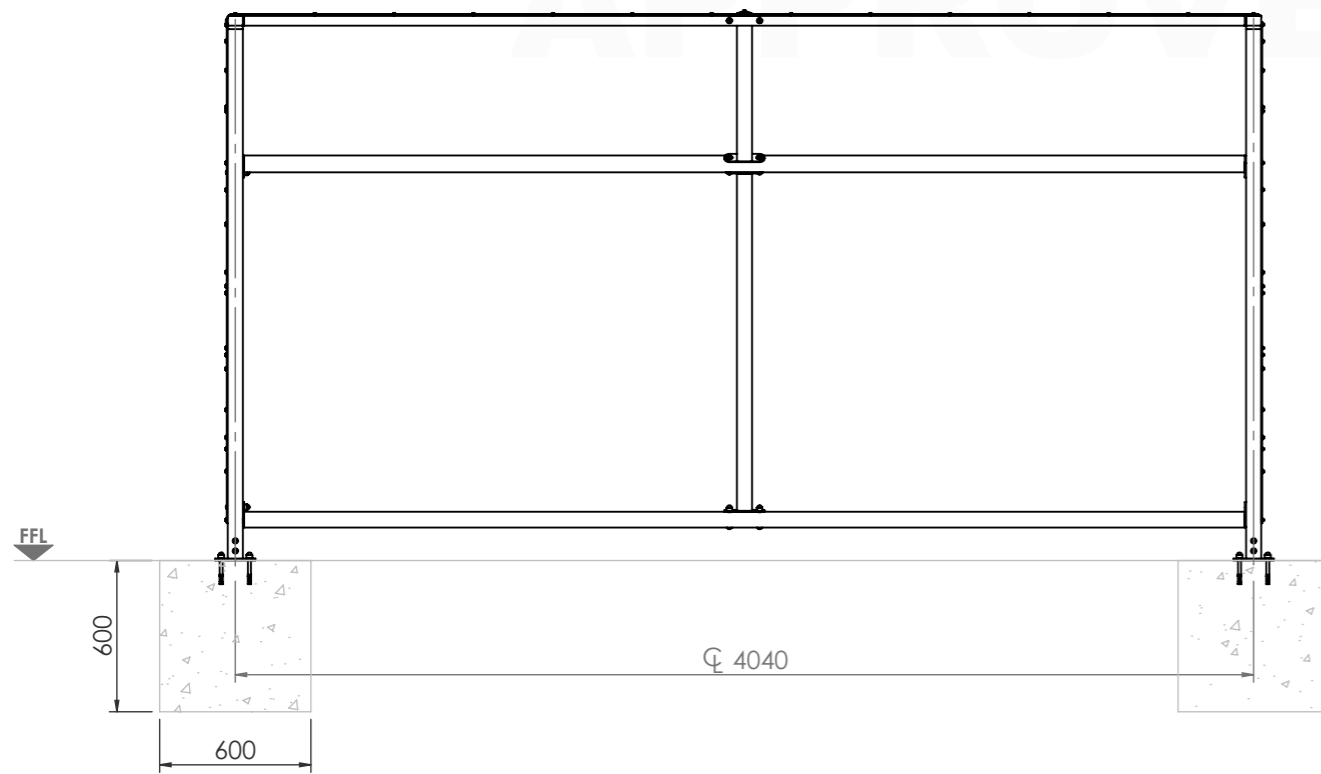
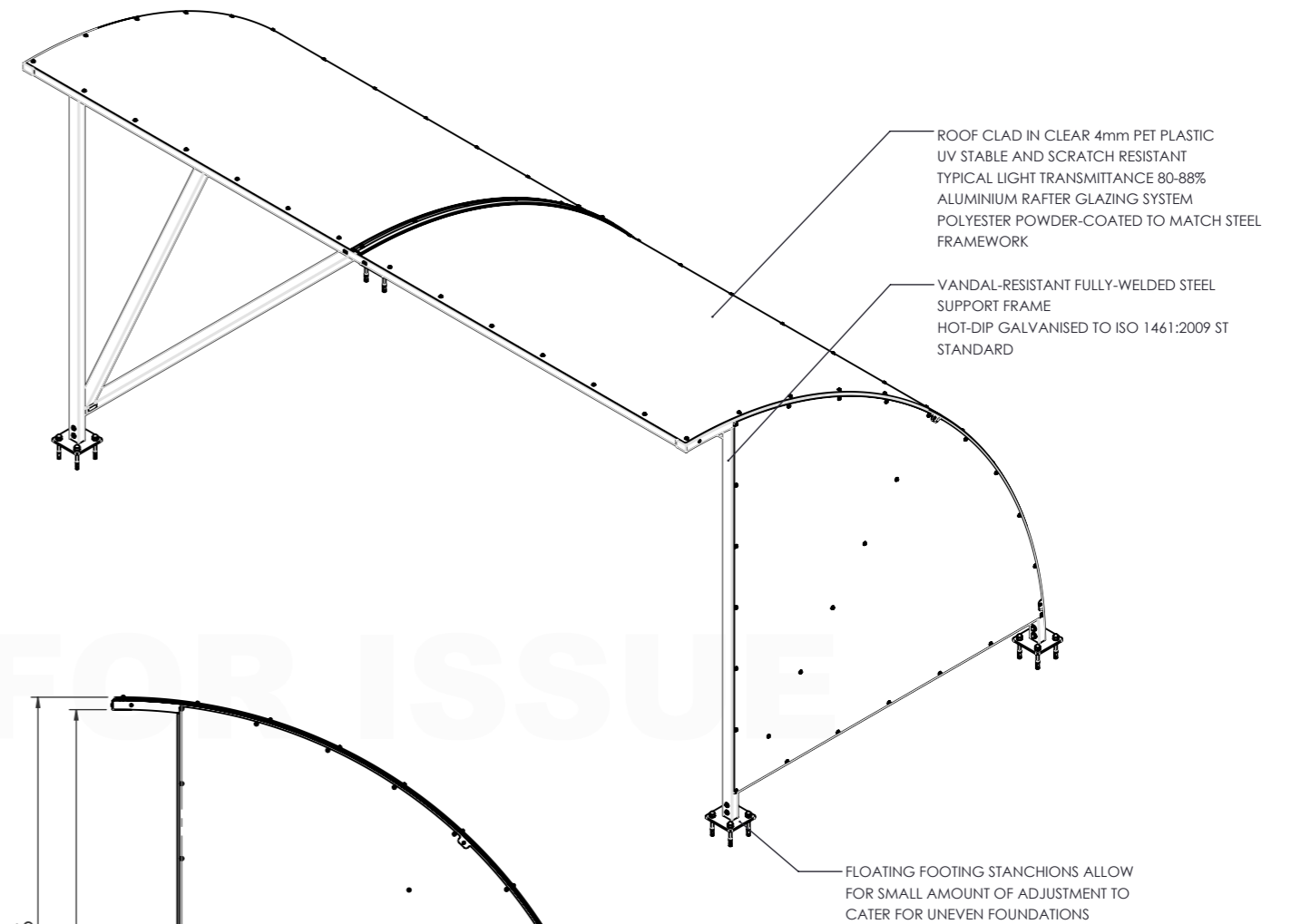
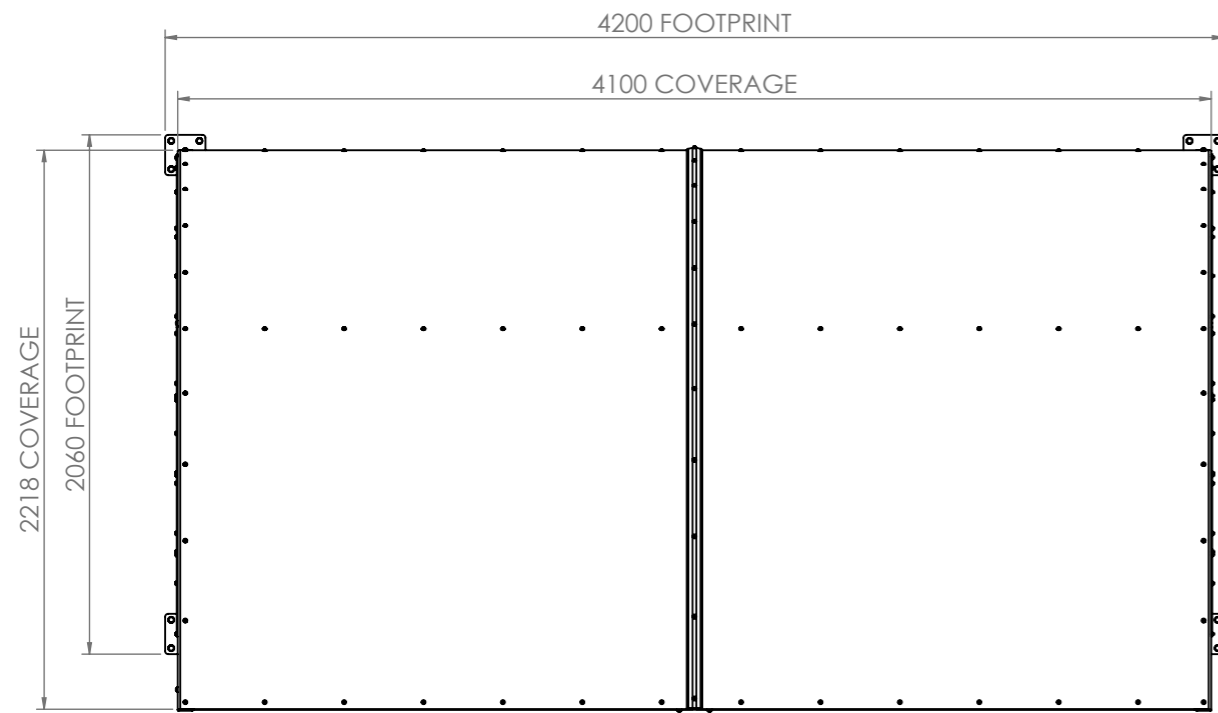
### PRODUCT OVERVIEW: 4.0m BAYS STOKE SHELTER (AMV)



Adlington Business Park, London Road, Adlington, Cheshire, SK10 4NL  
Tel: 01625 322 888 | enquiries@bsfg.co.uk

<b>BSFG Doc. NUMBER:</b> BSSGA1521-1_0	<b>Doc. TYPE</b> GA	<b>SHEET:</b> SHEET 1 OF 2	<b>SCALE:</b> 1:20 @A3	<b>DRW:</b> OS	<b>DATE:</b> 03/04/2017
<b>BSFG Doc. TITLE:</b> PRODUCT OVERVIEW - 4.0m BAYS STOKE SHELTER (AMV)				<b>CHK:</b> TS	<b>DATE:</b> 08/08/2022
<b>PART NUMBER:</b> 4.0m BAYS STOKE SHELTER (AMV)				<b>APP:</b> JF	<b>DATE:</b> 10/10/2023
<b>PART CONFIGURATION:</b> 4.0m STOKE				<b>BSFG Doc. STATUS:</b> APPROVED FOR ISSUE	
<b>BSFG JOB NUMBER:</b> STD	3rd ANGLE PROJECTION		DO NOT SCALE FROM DRAWING DIMENSIONS IN mm UNLESS STATED OTHERWISE		<b>BSFG Doc. REV:</b> 0

BSFG Doc. REVISIONS					
REV.	BY	DESCRIPTION	DATE	CHKD	APVD



**INSTALLATION:**  
RECOMMENDED Min. FOUNDATION AS SHOWN IN C20/25 CONCRETE. **SITE ENGINEER TO DETERMINE APPROPRIATE SIZE AND COMPOSITION OF ANY FOUNDATIONS BASED ON LOCAL GROUND CONDITIONS.**

UNLESS OTHERWISE SPECIFIED CANOPY ROOF MUST BE Min. 150mm CLEAR OF ANY ADJACENT STRUCTURE

INSTALLATION Via 4off MIN. Ø12x120 THROUGH BOLT PER FOOT

APPROXIMATE TOTAL WEIGHT: 251 kg

SHELTERING ITEM SUPPLIED AS KIT TO BE ASSEMBLED ANY GROUND FIXINGS SUPPLIED BY OTHERS FOR SUPPLY ONLY

## STANDARD: 4.0m BAYS STOKE SHELTER (AMV)



Adlington Business Park, London Road, Adlington, Cheshire, SK10 4NL  
Tel: 01625 322 888 | enquiries@bsfg.co.uk

<b>BSFG Doc. NUMBER:</b> BSSGA1521-2_0	<b>Doc. TYPE:</b> GA	<b>SHEET:</b> SHEET 2 OF 2	<b>SCALE:</b> 1:30 @A3	<b>DRW:</b> OS	<b>DATE:</b> 03/04/2017
<b>BSFG Doc. TITLE:</b> STANDARD - 4.0m BAYS STOKE SHELTER (AMV)				<b>CHK:</b> TS	<b>DATE:</b> 08/08/2022
<b>PART NUMBER:</b> 4.0m BAYS STOKE SHELTER (AMV)				<b>APP:</b> JF	<b>DATE:</b> 10/10/2023
<b>PART CONFIGURATION:</b> 4.0m STOKE				<b>BSFG Doc. STATUS:</b> APPROVED FOR ISSUE	
<b>BSFG JOB NUMBER:</b> STD	3rd ANGLE PROJECTION		DO NOT SCALE FROM DRAWING DIMENSIONS IN mm UNLESS STATED OTHERWISE		<b>BSFG Doc.REV:</b> 0

PRODUCTS WILL BE SUPPLIED WITH A SMALL IDENTIFICATION LABEL. IF YOU WOULD LIKE THIS REMOVED PRIOR TO DELIVERY PLEASE SPECIFY AT TIME OF ORDER